

CERAFLO® UF MEMBRANE CARTRIDGE

U740 Hollow Fibre Ultra-Filtration membrane



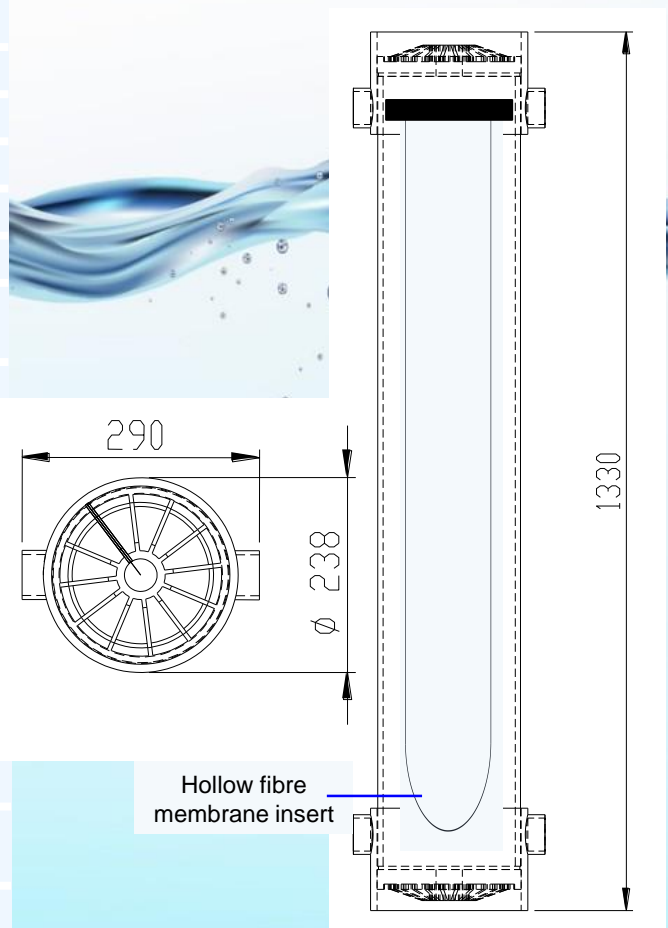
Specification

Configuration	Hollow Fibre (Out-to-In Filtration)
Material	Hydrophilic modified solid PVDF
Fibre Size (ID / OD)	0.6mm / 1.2mm
Recovery	> 95%/65% (Dead End/Cross Flow)
Surface Area	38 m ² (410 sq ft)
Pore Size, nominal	0.02 micron
Flow Rate (City Water)	± 2500 LPH*/cartridge
Shipping Dimension & Dry Weight	290 x 238 x 1330 mm, 19 kg

* subject to feed water condition

Operating Process

Temperature	< 50 ° C
Pressure (TMP)	< 1 bar - Feed; < 2 bar - Backwash
Maximum Pressure	< 5 bar
pH Range	3 to 9 (Operating); 2 to 11 (CIP)
Filtration (Out-to-In)	Feed and Product in Dead End / Cross Flow Mode
Re-generation (In-to-Out)	Backwash / CIP



Dimensions are for reference only.

Hollow fibre ultrafiltration (UF) removes:

- ✓ Sediment
- ✓ Dirt
- ✓ Rust
- ✓ Bacteria
- ✓ Cyst

Note: Ceraflo Pte Ltd reserves the right to make any changes to the information provided above without prior notice

Ceraflo

Ceraflo Pte Ltd 32 Marsiling Lane Singapore 739151

Tel: +65 6366 0250 Fax: +65 6366 0255 Email: info@ceraflo.com Website: www.ceraflo.com